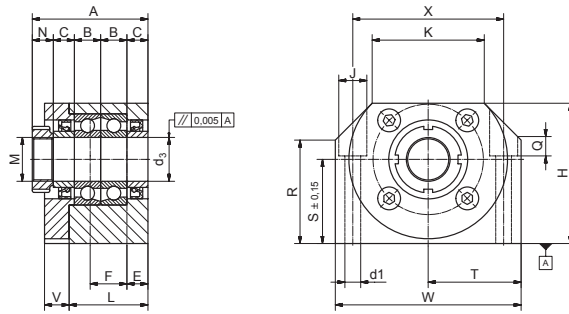


Typ Block ZBK

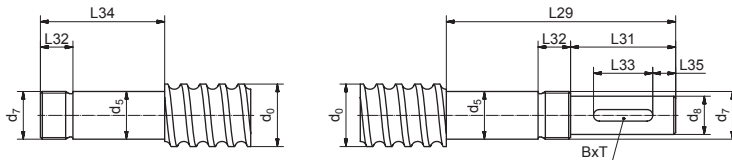
Ød1 Bohrung
ØJ Senkung
Q Tiefe



| Artikel-Nr. | W mm | H mm | S mm | Abmessungen in mm | | | | | | | | | | | | | Technische Daten | | | |
|-------------|---------|---------|---------|-------------------|----|-----|-----|----------------|----------------|------|------|---------|----|----|----|----|------------------|----------|------------------------------|------------------------------|
| | | | | R | T | X | K | d ₁ | d ₃ | J | Q | M | L | A | E | F | V | Lagertyp | Bemessung Axiallast kN | max. zulässige Last kN |
| ZBK10 | 60 | 39 | 22 | 26 | 30 | 46 | 34 | 6,6 | 10 | 11 | 6,5 | M10x1,0 | 25 | 38 | 6 | 13 | 6 | 7000A | 6,7 | 2,78 |
| ZBK12 | 60 | 43 | 25 | 30 | 30 | 46 | 34 | 6,6 | 12 | 11 | 6,5 | M12x1,0 | 25 | 38 | 6 | 13 | 6 | 7001A | 7,25 | 3,1 |
| ZBK15 | 70 | 48 | 28 | 33 | 35 | 54 | 40 | 6,6 | 15 | 11 | 6,5 | M15x1,0 | 27 | 40 | 6 | 15 | 7 | 7002A | 7,75 | 4,07 |
| ZBK17 | 86 | 64 | 39 | 46 | 43 | 68 | 50 | 9 | 17 | 14 | 8,5 | M17x1,0 | 35 | 52 | 8 | 19 | 9 | 7203A | 14 | 5,95 |
| ZBK20 | 88 | 60 | 34 | 42 | 44 | 70 | 52 | 9 | 20 | 14 | 8,5 | M20x1,0 | 35 | 52 | 8 | 19 | 9 | 7004A | 12,95 | 9,7 |
| ZBK25 | 106 | 80 | 48 | 59 | 53 | 85 | 64 | 11 | 25 | 17,5 | 11 | M25x1,5 | 42 | 62 | 10 | 22 | 11 | 7205A | 20,6 | 11,7 |
| ZBK30 | 128 | 89 | 51 | 63 | 64 | 102 | 76 | 14 | 30 | 20 | 13 | M30x1,5 | 45 | 66 | 11 | 23 | 12 | 7206B | 28,6 | 16,6 |
| ZBK40 | 160 | 110 | 60 | 80 | 80 | 130 | 100 | 18 | 40 | 26 | 17,5 | M40x1,5 | 61 | 82 | 14 | 33 | 14 | 7208B | 45 | 27,7 |

Tab.21

Standard Endenbearbeitung



| d ₀ mm | d ₅ h ₆ mm | d ₇ mm | Abmessungen in mm | | | | | | | | |
|----------------------|-------------------------------------|----------------------|-------------------------------|-----------------|-----------------|-----------------|-----------------|------------------|-----|-----------------|-----------------|
| | | | d ₈ h ₇ | L ₂₉ | L ₃₁ | L ₃₂ | L ₃₄ | B P ₉ | T | L ₃₃ | L ₃₅ |
| 16 | 10 | M10x1,0 | 8 | 58 | 20 | 10 | 38 | 3 | 1,8 | 15 | 2,5 |
| 16 | 12 | M12x1,0 | 10 | 63 | 25 | 10 | 38 | 3 | 1,8 | 18 | 3,5 |
| 20 | 15 | M15x1,0 | 14 | 77 | 35 | 12 | 42 | 4 | 2,5 | 27 | 4 |
| 25 | 17 | M17x1,0 | 15 | 94 | 40 | 14 | 54 | 5 | 3 | 32 | 4,5 |
| 25 | 20 | M20x1,0 | 16 | 99 | 45 | 14 | 54 | 5 | 3 | 36 | 4,5 |
| 32 | 25 | M25x1,5 | 20 | 120 | 55 | 17 | 65 | 6 | 3,5 | 45 | 5 |
| 40 | 30 | M30x1,5 | 25 | 133 | 64 | 17 | 69 | 8 | 4 | 50 | 7 |
| 50 | 40 | M40x1,5 | 36 | 165 | 78 | 21 | 87 | 10 | 5 | 63 | 7,5 |

Tab.24